

Open Face Level Transmitter for Wastewater

VersaLine® VL2000-SW Series



The PMC VersaLine® VL2000-SW Series submersible level transmitters are specifically designed for use in wastewater, pump/lift station applications. The ceramic capacitive sensing element provides a rugged open face design which avoids clogging or sludge build up from the materials often encountered in wastewater. The stainless steel construction will satisfy most applications, but an option of Titanium is available where the chemical environments dictate (see separate datasheet VL2000 for Titanium option). The Sink weight SW2000 was developed specifically for the VL2000 Series, and is replaceable. This provides a “cage” sink weight/anchor for transmitters installed on the bottom of wastewater or sewage lift tanks. Easy installation of sink-weight to be done by customer.

The standard polyurethane vented cable is molded to the transmitter providing the highest integrity waterproof assembly well proven in thousands of installations worldwide. FEP cable is available as an alternate for harsh environments. A feature of the VL2000 Series is full scale ranges as low as 10" WC.

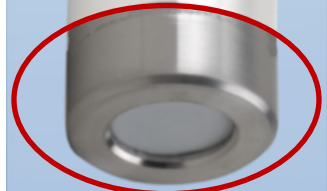
Process Measure Control

Features

- Open face, clog free
- 0.1%/0.25% accuracy
- 10" WC to 150 psi
- 316L SS
- 4-20mA, 2 wire
- CE

Applications

- Sewage Li
- Water Level
- Waste Water
- Oceanography
- Ground Water



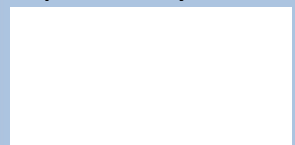
Technical Specifications

Full Scale Ranges (Zero Based)	0-10, 20, 30, 50" WC 0-1, 5, 10, 15, 30, 50, 100 psig <i>Other ranges and pressure units can be specified</i>
Accuracy	±0.1% FS (BSL) or ±0.25% FS (BSL) <i>Combined non-linearity, hysteresis & repeatability</i>
Overpressure	For full scale ranges up to 20 psi - 10X Above 20 to 150 psi-4X
Operating Temperature Range	-10° to +175° F (-20° to +80° C)
Compensated Temperature Range	30° to 85° F (-2° to +30° C) - Standard 30° to 180° F (-2° to +80° C) - Optional*
Temperature Effects (Compensated)	High accuracy (±0.1) ±0.3% TEB for ranges 5 psi and above ±1.0% Standard accuracy (±0.2%) Standard accuracy (±0.25%) ±1.5% TEB for ranges 5 psi and above ±2.0% TEB for ranges below 5 psi <i>*±2.0% TEB for all ranges with extended temperature operation</i>
Electrical	2-wire, 4-20 mA, 10-35 VDC power
Intrinsically Safe Approvals	Available with FM Intrinsically Safe Certification for use in Class I,II, and III, Division 1, Groups A,B,C,D,E,F, & G hazardous locations. <i>Note: FMC approval is included for Canadian requirements.</i>
Cable	Polyurethane molded, vented with Kevlar, 4 conductors <i>Contact factory for FEP cable</i>
Housing	316L Stainless Steel (See datasheet VL2000 for Titanium option)
Weight (excluding cable)	~5.4 lbs. (excluding cable)

Contact

PMC Engineering LLC
11 Old Sugar Hollow Rd
Danbury, CT 06810
USA
sales@pmc1.com
Tel: 203-792-8686
Fax: 203-743-2051
www.pmc1.com

Represented by:



PMC Engineering adopts a continuous development program which sometimes necessitates specification changes without notice

Your depth and level specialists for Ground, Surface, Sea and Waste Water

PMC Configurator

		VL	x	x	x	x	SW
Model Construction	Open Face, Ceramic 1"	2					
Housing Material	316L Stainless Steel	1					
Electrical Connection	Polyurethane molded cable	1					
	FEP	2					
	Conduit backend - Stainless Steel	4					
	Cable length must be specified at the time of ordering.						
Electrical Configuration	4-20 mA	3					
SW2000	sink weight/anchor						SW

Example Ordering Format: VL2113 - SW - 5psig - 0.25% - 20' cable

Related Products

The VersaLine® Series **VL3000**, **VL4000** and **MTM3000** offer similar performance with packaging suitable for deep well level measurements as well as sanitary flush designs for use in water and wastewater management, food and beverage, pulp and paper, and pharmaceutical applications. Please refer to appropriate data sheets.

An extensive range of accessories is available including Cable Hangers, and a unique method of avoiding water ingress through the breather tube for vented gauge transmitters. Also offered are Calibration Adaptors, Lightning Protection, and Cable Termination Boxes. Please see separate data sheet VLA detailing these items.

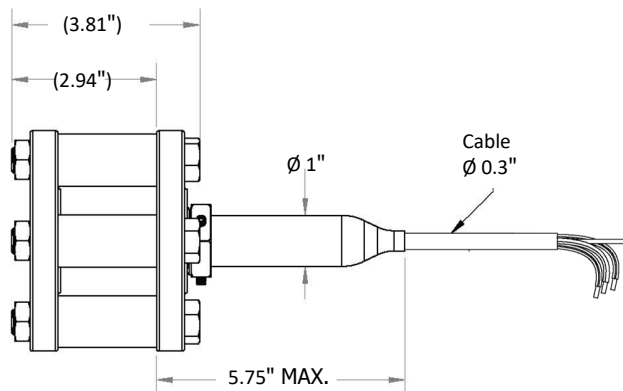
For Zero Maintenance



In order to reduce on-site maintenance PMC has developed the **MP 11** Moisture Protection Reference Volume. For vented gauge transmitters this provides total isolation from the atmosphere by using a custom bladder, while maintaining the high performance of the transmitter. **Totally maintenance free.** Please specify MP 11.

Mechanical Details

Dimensions in inches



Electrical Details

Construction	+V Supply	0V Supply	Ground
4-20mA	Red	Black	Green

Process Measure Control

Sensors for

- Pressure
- Level
- Vacuum
- Humidity
- Temperature
- Force
- Position

Accessories

PMC offers a range of Accessories and variants for depth and level transmitters. Reference separate data sheet.

- Termination Enclosure
- Cable Hanger
- Moisture Protection
- Calibration Adaptor
- Sink Weights
- Level Meters

PMC is

- Engineering Driven
- Confidential
- Experienced
- Responsive
- Dynamic
- Friendly

Your depth and level specialists for Ground, Surface, Sea and Waste Water