



- Exclusive PMC-STS, Inc. Design
- Moisture Barrier Filter Element (*optional*)
- Compact and Durable
- Optional Protective SS Screen

The **PMC Breather Vent Fitting (VF)** is a unique compact fitting that provides both a moisture barrier and ventilation for devices requiring atmospheric pressure. The PMC proprietary filter element allows air to pass through, but does not allow water to penetrate. PMC developed this high-quality component as a solution for their instrumentation housing. Over a short period of time this fitting has established itself as an excellent product, providing a sound solution to venting needs in many industrial applications. An optional stainless steel construction is available and the VF can also be ordered with the optional protective stainless steel screen which covers the filter and eliminates the risk of physical damage to the filter by normal physical contact. A #10 Nylon washer is provided with each fitting.

Customers and applications include major instrumentation companies, GPS manufacturers, mechanical housing units, environmentally sensitive data collection systems, electronic housing manufacturers, and pressure measurement equipment designed for use in moisture environments. PMC can engineer a Breather Vent Fitting for your specific needs.

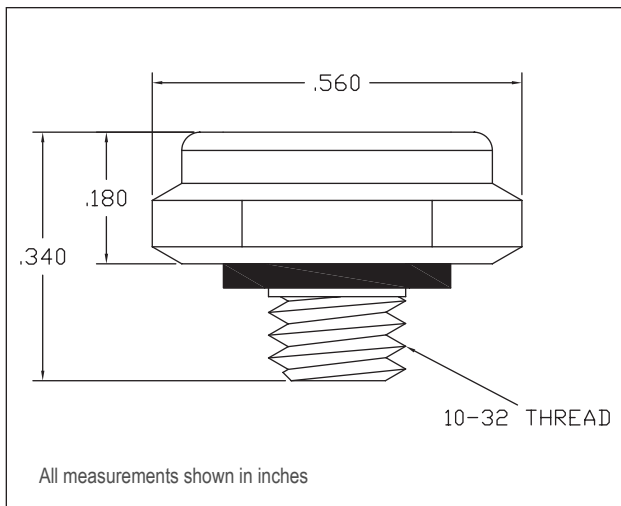
STANDARD SPECIFICATIONS

■ Construction

Nickel-plated brass housing
Stainless Steel housing (optional)
PMC Filter Element
Stainless Steel Screen (optional)

■ Installation

10-32NF-2A threading
0.4375" Hex
0.313" deep



ORDERING INFORMATION

VF Series *Moisture Barrier, Breather Vent Fitting*

Consult factory for ordering assistance.

Required information includes:

Use PMC order code VF to order your Breather Vent Fitting.

For the Breather Vent Fitting including the protective Stainless Steel Screen, use order code VF/SS.

OPTIONS

PMC can design a Moisture Barrier, Breather Vent Fitting for your specific needs. Alternative materials, sizes, threads or connector styles can be provided for your unique application.

Contact PMC for further options and accessories

PMC adopts a continuous development program which sometimes necessitates specification changes without notice.



PMC-STS, Inc.

11 Old Sugar Hollow Road
Danbury, CT 06810 U.S.A.
Tel: 203-792-8686
Email: sales@pmc1.com
www.pmc1.com