

# KR22SERIES ROTARY POTENTIOMETER



**Sense  
Measure  
Control**

The KR22 series of rotary potentiometers are designed to withstand the harsh environments of motorsport applications and on-vehicle automotive testing applications.

Using proven 'conductive plastic' technology, the sensors offer high performance and reliability at temperatures up to +350°F.

With a small and lightweight 0.89 inch diameter body these are ideal for many applications within both motorsport and automotive testing and development programs.

Available in either single (3 wire) or dual (6 wire) outputs. The modular design allows for various mounting arrangements for the sensor and also importantly the different shaft/drive types.

## Features

- *Single or Dual Track*
- *Excellent Linearity*
- *350°F Operation*
- *Lightweight - 0.7oz*
- *IP65 or IP67 Sealing*

## Applications

- *Throttle Position*
- *Steering Angle*
- *Pedal Position*
- *Gear Position*
- *Aero Surfaces*
- *Actuators*

## TECHNICAL SPECIFICATIONS

<b>Electrical Angles</b>	45°, 125°, 2 x 125° and 350°
<b>Nominal Resistance</b>	5Kohm (± 20%)
<b>Resolution</b>	Essentially infinite
<b>Repeatability</b>	<= 0.01%
<b>Operational Speed</b>	150 RPM
<b>Mechanical Life</b>	> 25 million cycles
<b>Independent Linearity</b>	<= ± 0.5%
<b>Supply</b>	40Vdc (maximum)
<b>Operating Temperature Range</b>	-40°F to 350°F (-40°C to +175°C)
<b>Housing Material</b>	Aluminum
<b>Shaft Material</b>	Stainless steel
<b>Track Technology</b>	Conductive track-single or dual
<b>Electrical Connection</b>	20 ins 3/6 wire Raychem 55A, 26 AWG, FDR 25 sleeve
<b>Protection Class</b>	IP65 or IP67
<b>Weight</b>	0.7oz
<b>Options</b>	Mounting flange, shaft drive, cable length & labelling

## Contact us

KA Sensors  
 Division of  
 PMC Engineering LLC  
 11 Old Sugar Hollow Rd  
 Danbury, CT 06810  
 USA  
 sales@pmc1.com  
 Tel: 203-792-8686  
 Fax: 203-743-2051  
 www.kasensors.com

Represented by:



PMC/KA Sensors adopts a continuous development program which sometimes necessitates specification changes without notice

**Sensors and solutions for Motorsport and On-Vehicle applications**

# KAfigurator

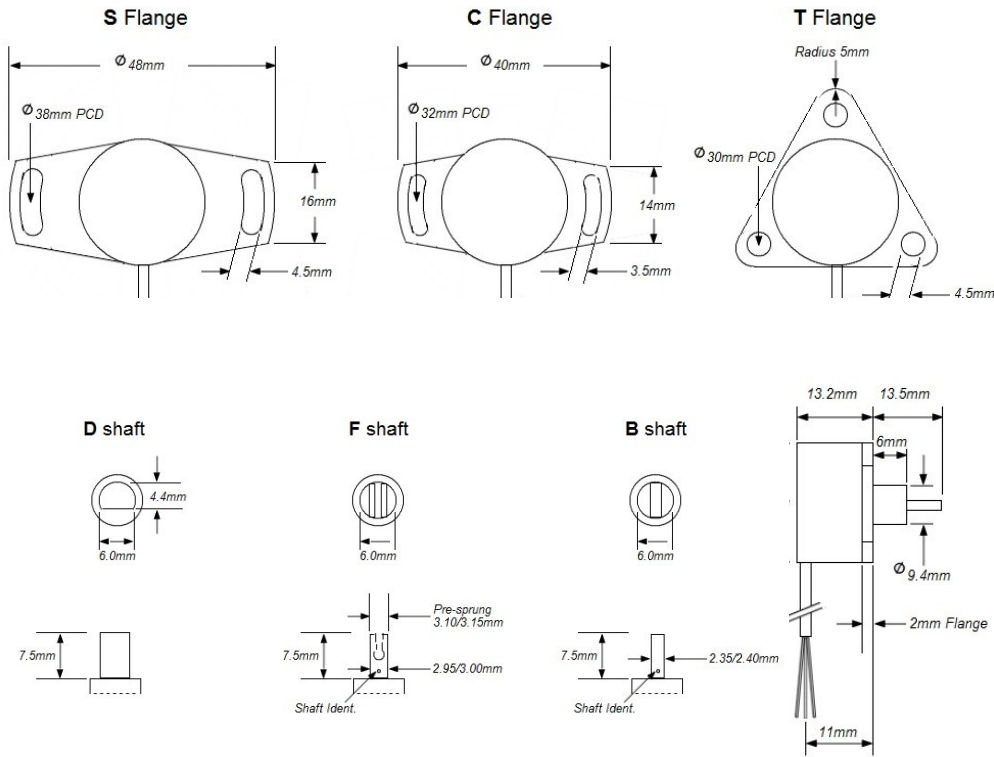
KR22 0350 T 67 F 000

<b>Electrical Range</b>	45° (Degrees)	0045	
	125° (Degrees)	0125	
	Dual Track 125° (Degrees)	D125	
	350° (Degrees)	0350	
<b>Mounting Flange Style</b>	Flange Design C	C	
	Flange Design S	S	
	Flange Design T	T	
<b>Seal Rating</b>	IP65	65	
	IP67	67	
<b>Shaft</b>	Shaft Design B	B	
	Shaft Design D	D	
	Shaft Design F	F	
<b>Special Code</b>	None	000	

The KA configuration tool is used to specify a standard KA Sensor, **other options are available.**

## MECHANICAL DETAILS

Dimensions in mm



## ELECTRICAL DETAILS

	+Ve Supply	0V Supply	Signal
Single Output	Red	Black	Yellow
Dual Output	Brown	Blue	White

**Sense  
Measure  
Control**

### Sensors for

- Temperature
- Acceleration
- Pressure
- Position
- Torque
- Speed
- Angle
- Force

### Services for

- Data Logging
- Telemetry
- Controls
- Wiring
- Design

### KA Sensors are

- Engineering led
- Confidential
- Experienced
- Responsive
- Dynamic
- Friendly

**Sensors and solutions for Motorsport and On-Vehicle applications**