

# DT722

## Rugged Industrial Relative Humidity and Temperature Transmitter

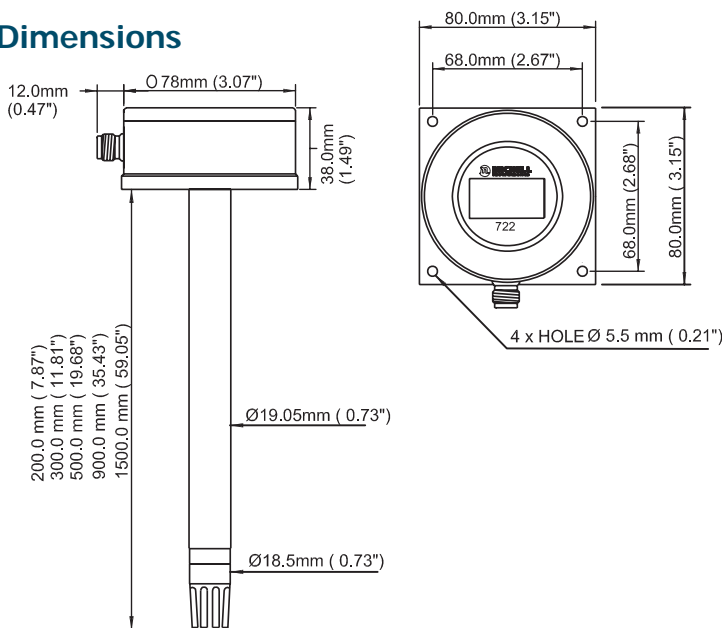


The DT722 is a rugged industrial relative humidity and temperature transmitter designed for process applications where accurate, stable measurement and control of humidity and temperature is required.

### Highlights

- Designed for accurate measurements in a harsh environments
- Can withstand temperatures up to 300°F / 150°C
- Stainless steel housing

### Dimensions

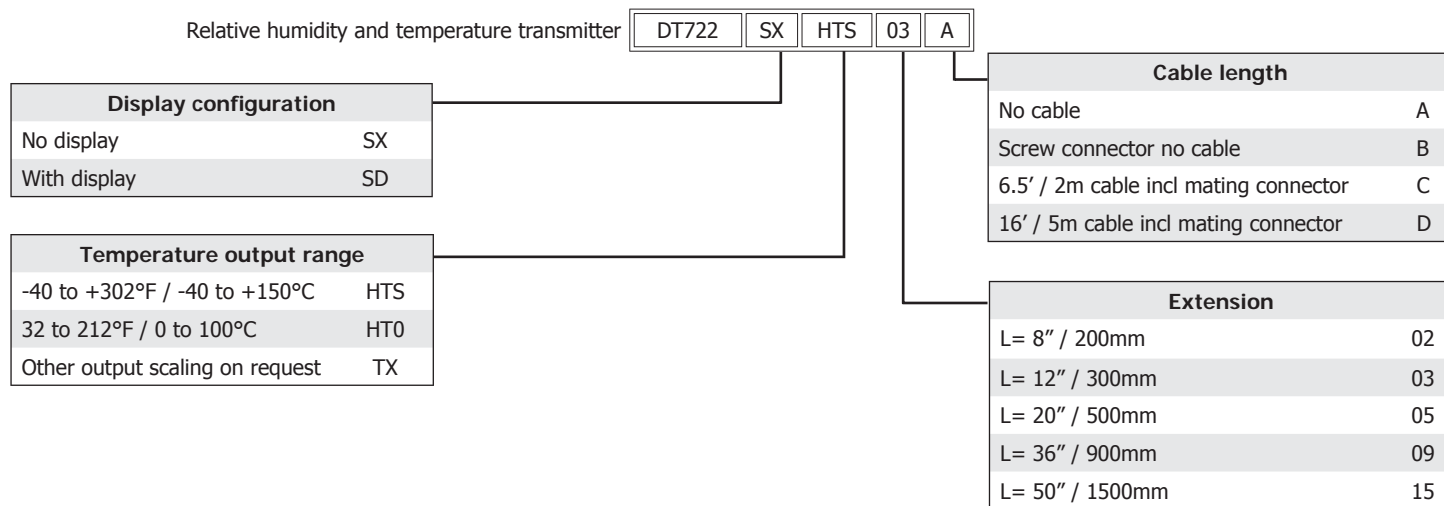


Technical Specifications	
Performance	
Measurement range (RH)	0–100% RH
Measurement range (T)	-48 to 302°F / -40 to +150°C
RH Accuracy at 25°C / 77°F	<±2% RH (5-95% RH)
Accuracy at 25°C / 77°F Temperature	±0.36°F / ±0.2°C typical
Stability – RH Sensor	±1% RH/year
Response time – RH Sensor	<10 sec typical (for 90% of the step change)
Electrical output/input	
Output signal	Dual 4–20 mA signals
Supply voltage	8–35 VDC
Supply voltage influence	±0.01 % RH/V typical
Operating conditions	
Operating humidity Probe, Housing, Storage	10–95% RH (non-condensing)
Operating temperature Probe Housing Storage	-40 to +302°F / -40 to +150°C -22 to +160°F / -30 to +70°C -40 to +170°F / -40 to +75°C
Mechanical specification	
Ingress protection	IP65
Housing material	Stainless Steel
Weight	DT722 8": 29 oz / 200mm: 800g DT722 12": 32 oz / 300mm: 900g DT722 20": 2.3 lb / 500mm: 1040g
Electrical connections	4 pin, M12

Accessories and spare parts	
Electrical connector, no cable	A000030
Electrical connector, 6.5' / 2m cable	A000031
Electrical connector, 16' / 5m cable	A000032
Slotted protection cap, black (standard)	A000002
Wire mesh filter with protection cap, black	A000021
PVDF filter	A000014
PVDF filter with protection cap, black	A000015
Stainless steel sintered filter 5/10/20 µm	A000025/26/27
Foil filter 2µm with black protection cap	A000040
Foil filter 1.5µm with black protection cap	A000044
Aluminum mounting flange	A000110
3/4" NPT Adjustable fitting	A000100
You can check your hygrometer with the control kit HKC which is based on the principle of non-saturated salt solutions. Refer to technical data sheet CONTROL KIT	Control Kit HKC

Electrical Connections		
Connections		
Cable	Pin	
White	Pin 1	Output RH +
Brown	Pin 3	Output RH -
Green	Pin 4	Output T +
Yellow	Pin 2	Output T -
Connect RH+ with T+ by user		

Order codes



Example: DT722 2 SX HT2 03 A

Relative humidity and temperature transmitter DT722, 2% accuracy, -40 to +302°F / -40 to +150°C temperature range, 12" / 300.0mm probe, no display. No cable.

Please note: Michell Instruments adopts a continuous development program which sometimes necessitates specification changes without notice. Please contact us for latest version. Ref: DT722\_1001US\_P



Process Measurement & Controls, Inc. Email: sales@pmc1.com  
 Michell Instruments RH Web: www.michell.com/us/rh  
 11 Old Sugar Hollow Road Tel: 203-792-8686  
 Danbury, CT 06810 USA Fax: 203-743-2051

Represented by: