

# ANALOG VOLTAGE DEPTH/LEVEL TRANSMITTER ATM.ECO/N



## Features

- Fully submersible, 1" diameter
- Ranges 20" WC to 360 psi
- 316L SS construction - Titanium option
- Polyurethane cable - PE/FEP option
- Many installation options available

## Product overview and applications

The ATM.ECO/N is part of a comprehensive range of pressure transmitters specifically designed for the long term monitoring of ground water and wastewater. Features such as Kevlar strengthened cable, titanium, ballast weights, data loggers, etc. broaden the installation opportunities. The modular construction provides manufacturing flexibility and offers fast delivery for all pressure ranges and standard options.

Examples of applications include:

- Wells, lakes and reservoirs
- Bore holes
- Surface water, irrigation canals and rivers
- Wastewater and sewage treatment plants
- Tank level measurement

**Specification**

**Measurement**

**Pressure ranges**

Any range from 20" WC to 360 psi FS available, in any engineering units such as psi, Pa, inches H<sub>2</sub>O, bar.

Absolute or gauge types available

**Proof pressure**

FS up to 15 psi: 45 psi  
 FS > 15 psi up to 360 psi: 3 x FS (max. 360 psi)  
 Consult factory for higher proof pressure

**Operating temperature range**

25 to 125°F (standard)  
 25 to 175°F (option)

**Compensated temperature range**

25 to 125°F (standard)  
 25 to 175°F (option)

**Performance**

**Total Error Band (TEB)**

**typ. ±1%** total for 25 to 125°F, ≤ 7.25 psi  
**typ. ±2%** total for 25 to 175°F, ≤ 7.25 psi

**typ. ±0.7%** total for 25 to 125°F, > 7.25 psi  
**typ. ±1.0%** total for 25 to 175°F, > 7.25 psi

**Accuracy**

Combined linearity, hysteresis, repeatability, Zero and Span set:  
 ≤±0.25% FS (standard)  
 Consult factory for better accuracies or refer to ATM.1ST/N

**Long term stability**

<0.1% FS/yr for pressure ranges > 30 psi FS  
 Prorated for ranges below 30 psi FS  
 Under standard conditions

**Specification continued**

**Supply voltage**

12 - 30 VDC  
 Influence of supply voltage: typ. < 0.05% FS

**Max. load resistance**

RL > 10 Kohms  
 Influence of load resistance < 0.05% FS

**Output signal**

0 - 5 VDC, 3-wires  
 0 - 10 VDC, 3-wires

**Response time:**

<1ms (10 to 90%FS)

**Insulation resistance**

> 50 megohms @ 500 VDC (@ 68°F)

**Construction**

**Pressure media compatability**  
 Stainless steel 316L, Viton seals  
 Other seal materials available  
 Titanium version available

**Pressure connection**

Closed (Fig.1) POM nose cone (supplied as standard)  
 Open (Fig.2) POM nose cone with ø0.59" opening available as option  
 Other connections available

**Electrical connection**

Polyurethane, polyethylene or FEP cable  
 Fixed or field replaceable version (Fig.3) available

**Specification continued**

**Weight**

5 oz approximate (not including cable)

**Vibration**

10 g, 4 to 2000 Hz

**Mechanical shock**

100 g / 6 ms

**Ordering information**

Please specify the following:

- 1) Model number - ATM.ECO/N
  - 2) Electrical connection
    - 15 - Polyurethane cable
    - 13 - Polyethylene cable
    - 21 - FEP cable
  - 3) Pressure range, including eng. units, type
  - 4) Accuracy
  - 5) Cable length
  - 6) Any special features
- Example ordering format:  
 ATM.ECO/N - 15 - 15 psig - 0.25% - 50 feet cable

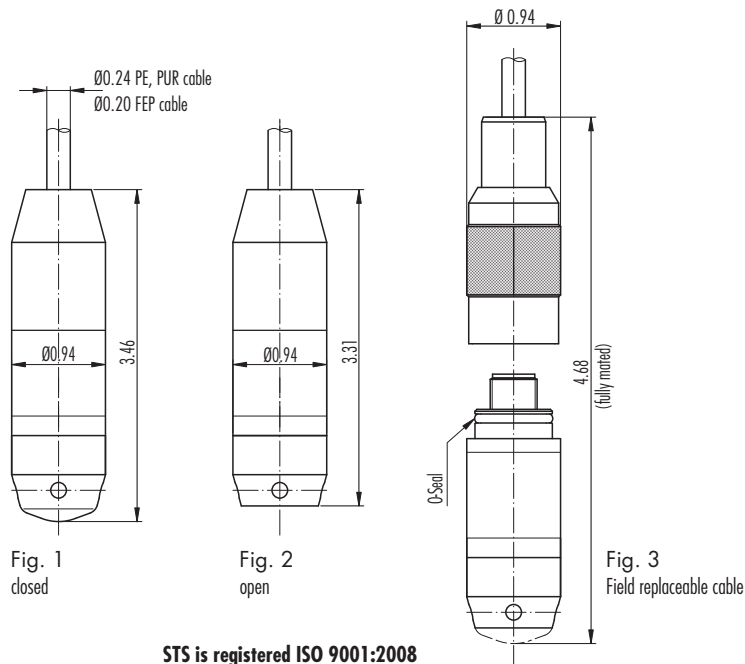
**Options**

STS offers a wide range of options for these and other similar transmitters. Please consult the factory for any special requirements.

**Examples include:**

- Alternate electrical configurations i.e. 0 to 5 VDC, 0 to 10 VDC, 0 to 20 mA RS 485
- Lightning protection
- Intrinsic safety certification
- Special oil filling for food application etc.
- Alternate construction i.e titanium
- Alternate seals i.e. EPDM, Kalrez
- Wide range of pressure connectors
- Wide range of electrical connectors
- Datalogging

**Dimensions (inches)**



Specifications may change without notice.

STS is registered ISO 9001:2008

10.00.0403.A - 305



PMC Engineering LLC  
**STS Sensors**  
 11 Old Sugar Hollow Road  
 Danbury, CT 06810 U.S.A

Tel: 203-792-8686  
 Fax: 203-743-2051  
 e-mail: salesUS@sts-sensors.com  
 Internet: www.sts-sensors.com

**Represented by:**