

MINIATURE HIGH PERFORMANCE PRESSURE SENSOR

4-20mA - ASUH SERIES - UP TO 500 PSI

The ASUH Series of high performance sub-miniature pressure transducers have been designed for demanding installations where space is extremely limited and high vibration and temperature are anticipated.

This new design utilizes miniaturized hybrid components which allow savings in size and weight. The transducer has an enhanced performance at elevated temperature and is optimized for extreme installations such as on-engine or transmissions.

The modular construction and programmable amplifier provide a fast delivery time for standard and custom configurations. Pressure ranges are available between 150 to 6000 psi. For OEM applications we have many options available to customize these transducers.

TECHNICAL SPECIFICATIONS

Pressure Reference	Absolute, Gauge and Sealed gauge
Standard Pressure Ranges (psi)	15, 30, 75, 100, 150, 300, 500 <i>For ranges above 500 psi see ASUH High Range datasheet</i>
Proof Pressure (overload)	200% of range
Burst Pressure	>500% of range
Accuracy	±0.08% FS Combined Linearity & Hysteresis (CNLH)
Thermal Effects	±0.25%FS TEB within Compensated Range
Output	4-20mA (±0.5%)
Power Supply	9-40Vdc
Operating Temperature Range	-40°F to 300°F (-40°C to +150°C)
Compensated Temperature Range	Standard temperature ranges-See Configurator on back page <i>Any range can be selected over the operating temperature. But for non-standard ranges please consult the factory.</i>
Bandwidth	1000Hz standard <i>Other frequencies available - please consult the factory.</i>
Construction	Stainless steel
Electrical Connection	20in 26AWG, 55spec wire + DR25 sleeve or Hermetic Connector - 8STA1-Y02-05PN170
Process Connection	3/8-24UNF (-3), 5/16-24UNF (-2), M6 x 1, M8 x 1 and M10 x 1
Protection Class	IP67 (Cable Option) Hermetic Seal (Connector Option)
EMC Protection	EN 50082-1
Vibration	Mil-Std-810C, curve L, 20G
Weight	0.95oz - Including cable 0.7oz - Connector option
Options	Cable length, connector fitted, thread size and labelling

PMC adopts a continuous development program which sometimes necessitates specification changes without notice

Process Measure Control

Features

- Lightweight
- 0-15 to 0-500 psi
- ±0.08% Accuracy
- 4-20mA
- -40 to +300°F

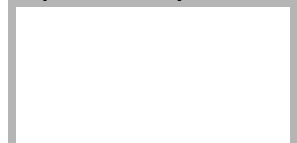
Applications

- Compressors
- Generators
- Hydraulics
- Fluid
- Test
- Air

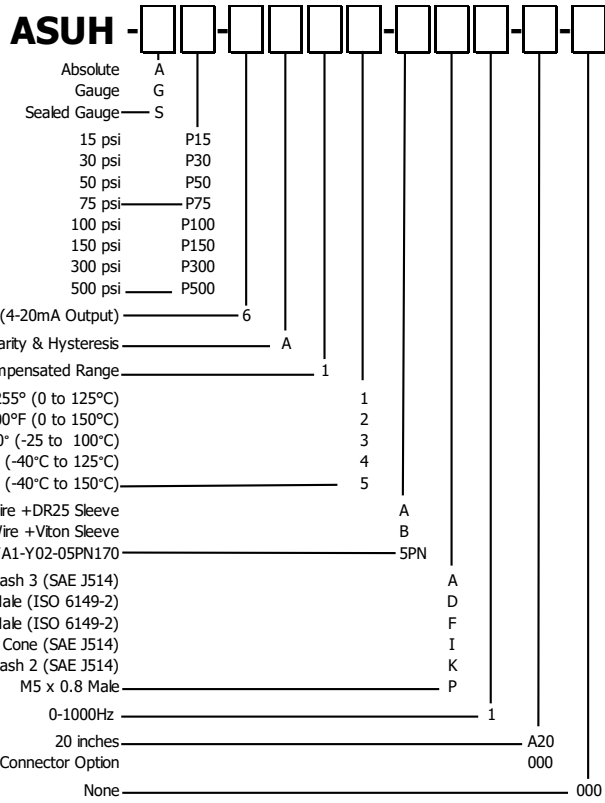
Contact

PMC Engineering LLC
11 Old Sugar Hollow Rd
Danbury, CT 06810
USA
sales@pmc1.com
Tel: 203-792-8686
Fax: 203-743-2051
www.pmc1.com

Represented by:



Part Number Configurator



Process Measure Control

Sensors for

- Temperature
- Acceleration
- Pressure
- Position
- Torque
- Speed
- Angle
- Force

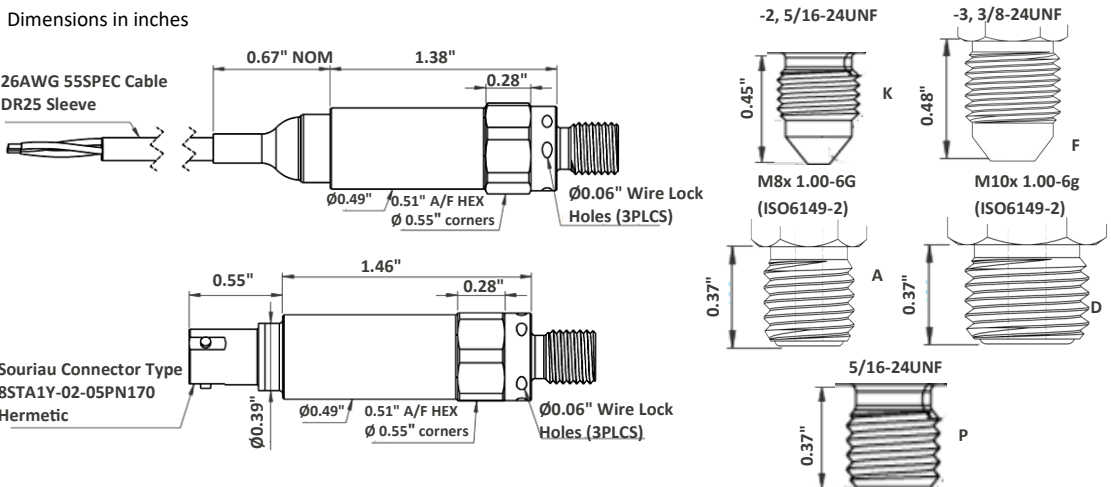
Services for

- Data Logging
- Telemetry
- Controls
- Wiring

PMC Sensors is

- Engineering led
- Confidential
- Experienced
- Responsive
- Dynamic
- Friendly

MECHANICAL DETAILS



ELECTRICAL DETAILS

Cable Option		
+Ve Supply	0V Supply	Factory use only
Red	Black	White

Hermetic Connector Option			
+Ve Supply	GND	Factory use only	Not Connected
Pin 1	Pin 2	Pin 3	Pin 4 & 5

Precision Pressure, Temperature and Level Measurement for Industry