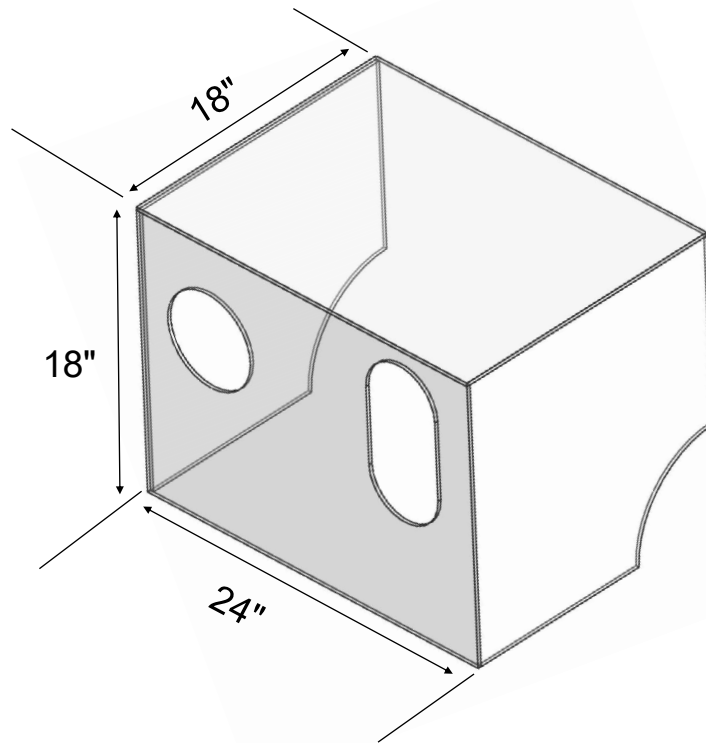


Intubation box

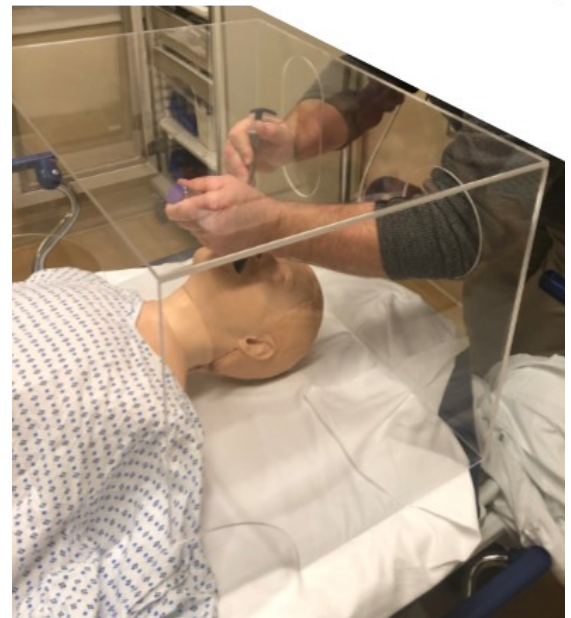
A temporary protection device

Designed by Engineers and Physicians
Approved for immediate use



We can provide manufacturing details and organize local fabrication.

- 24" wide to accommodate all
- Front cut outs to avoid cramping arms
- 18" high to allow physician to safely view patient from top
- Right side arm hole slotted to allow free movement
- 6mm clear acrylic or polycarbonate



PMC Engineering LLC
11 Old Sugar Hollow Road
Danbury, CT 06810
203 792-8686
Contact: Robert Knowles
Mobile: (203) 982-7352

www.pmc1.com