



## Wellhead Topside Pressure Transmitter

### *VersaLine Transmitter VT1000 Series*



- Total Error Band: typical  $\leq 0.3\%$  FS
- Compensated temperature:  $-40$  to  $255^{\circ}\text{F}$
- Full scale ranges from 1 to 15,000 psi
- Gauge, absolute or differential
- Accuracies of  $\leq 0.05$  or  $0.1\%$  available
- Voltage or 4 to 20 mA output

The PMC VT1000 Series transmitters are specifically designed to work alongside our VL submersible series for Topside Measurements of a wide range of water related applications for measurements of ground, surface, waste, sea water and oceanography. Typical applications for the VT series are bubbler systems, well head pressures, pump monitoring and injection well monitoring and control. Both stainless steel and titanium construction are available. The titanium option provides immunity to virtually all environments, especially including brackish or sea water, or other chemicals unsuitable for stainless steel. A wide range of electrical terminations are available, including the polyurethane vented cable normally fitted to the submersible versions. This is molded to the transmitter providing the highest integrity waterproof assembly, which is well proven in thousands of installations worldwide. Kevlar is used to avoid cable elongation when longer lengths, up to 5000 feet, are required for deep wells. FEP cable is available as an alternate for harsh environments. A feature of the VT1000 Series is its ability to provide high performance for ranges as low as 30" WC.

The sensing technology features a highly stable Piezoresistive element manufactured from micro-machined silicon and supported by more than 20 years experience in pressure measurement applications. The sensing element is isolated from the media by a stainless steel or titanium diaphragm, thus providing the best possible reliability for long term installations.

With a choice of voltage (low power) or current (4-20 mA) configurations, relatively small physical size and a wide range of pressures, the VT1000 Series will satisfy most applications for water pressure monitoring and control, oceanographic applications and much more.

Our VersaLine Products provide small size (3/8" dia.), clog free (for raw sewage), Intrinsic safety approvals (for hazardous environments) and many other features and configurations. Please refer to appropriate data sheets.

An extensive range of accessories is available including Sink Weights, Cable Hangers, and a unique method of avoiding water ingress through the breather tube for vented gauge transmitters. Also offered are Calibration Adaptors, Lightning Protection, and Cable Termination Boxes. Please see separate data sheet VLA 702 detailing these items.

## STANDARD SPECIFICATIONS

### ■ Full Scale Ranges (Zero Based)

0-1, 5, 10, 50, 150, 500, 1000, 5000, 10000 psig

0-5, 10, 50, 150, 500, 1000, 5000, 10000 psia

0-1, 5, 10, 15, 30, 50 psid

Other ranges and pressure units can be specified

### ■ Accuracy - Total Error Band

Combined non-linearity, hysteresis & repeatability, zero & span settings, and thermal errors

#### TEB without optional active compensation

±0.8% for 32 to 160°F, ≤ FS 7.25 psi

±1.3% for -15 to 212°F, ≤ FS 7.25 psi

±0.3% for 32 to 160°F, > FS 7.25 psi

±0.75% for -15 to 185°F, > FS 7.25 psi

#### TEB with optional active compensation

±0.5% for 32 to 160°F, ≤ FS 7.25 psi

±1.0% for -15 to 212°F, ≤ FS 7.25 psi

±0.2% for 32 to 160°F, > FS 7.25 psi

±0.5% total for -15 to 185°F, > FS 7.25 psi

### ■ Static Accuracy

0.1% standard or 0.25% (option)

### ■ Overpressure (Proof Pressure)

FS up to 15 psi: 45 psi

FS > 15 psi up to 4,000 psi: 3 x FS

FS > 4000 psi up to 9000 psi: 12,000 psi

FS > 9000: 22,000 psi

Consult factory for higher proof pressure

### ■ Operating Temperature Range

-40° to +255° F

### ■ Compensated Temperature Range

+32 to 160°F (standard)

-15 to 212°F (option)

-40 to 212°F (option)

-40 to 255°F (option with active compensation)

### ■ Electrical

2-wire, 4-20 mA output, 9-33 Vdc supply

### ■ Electrical Terminations

6-pin bayonet (10-6 pin layout), DIN connector, polyurethane or FEP cable (see drawings)

### ■ Pressure Connections

1/4"NPT (male or female)

7/16-20 UNF-2A male (AN-4)

Others upon request, contact factory

### ■ Housing Material

316 Stainless Steel or Titanium

Note: 5-year corrosion warranty included for Titanium housing.

### ■ Weight (Excluding cable)

VT1113 - 4.5 oz.

PMC adopts a continuous development program which sometimes necessitates specification changes without notice.

## ORDERING INFORMATION

### VersaLine VT1000 Series

When ordering please specify the following:

(1) Model number from table below

MODEL - Construction	
1	Base VT1000 Series
Housing Material	
1	316 Stainless Steel
2	Titanium - 5 yr corrosion warranty
Electrical Connector	
1	Polyurethane Molded Cable
2	FEP Cable
5	Electrical Connector (specify type)
Electrical Output Type	
2	0-5 or 0-10V (pls specify)
3	4-20mA loop powered

(2) Range, including engineering units

(3) Accuracy

(4) Electrical connection type

(5) Pressure connection type

(6) Compensated temperature range

(7) Any other special requirements

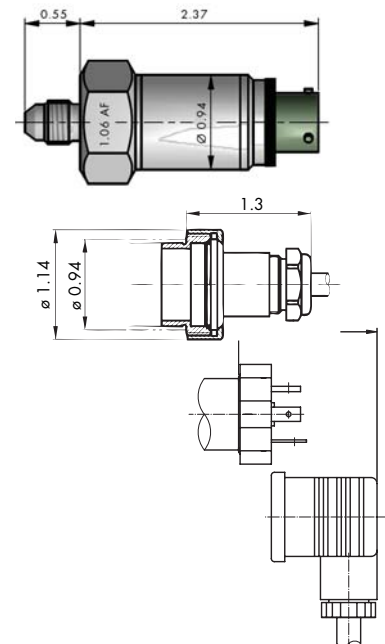
## OPTIONS

■ HART Communication Protocol

■ 1-5 volts, RS485 and Rangeable

■ PMC offers an extensive range of accessories and variants for depth and level transmitters. (Refer to datasheet VLA 702)

Please contact the factory for further information.



HEAD OFFICE



**Process Measurement & Controls, Inc.**

11 Old Sugar Hollow Road

Danbury, CT 06810 U.S.A.

Tel: 203-792-8686

Fax: 203-743-2051

Email: sales@pmc1.com

www.pmc1.com

Represented By:

VL4500 008