



Breather Vent Fitting

VF Series



- Exclusive PMC Design
- Moisture Barrier
- Compact and Durable
- Optional Protective SS Screen
- Teflon® PTFE Filter

The PMC Breather Vent Fitting (VF) is a unique compact fitting that provides both a moisture barrier and ventilation for devices requiring atmospheric pressure. The PTFE (polytetrafluoroethylene) filter allows air to pass through, but does not allow water to penetrate. PMC developed this high-quality component as a solution for their instrumentation housing. Over a short period of time this fitting has established itself as an excellent product, providing a sound solution to venting needs in many industrial applications. The VF can be ordered with the optional protective stainless steel screen which covers the PTFE filter and eliminates the risk of physical damage to the filter by normal physical contact. A #10 Nylon washer is provided with each fitting.

Customers and applications include major instrumentation companies, GPS manufacturers, mechanical housing units, environmentally sensitive data collection systems, electronic housing manufacturers, and pressure measurement equipment designed for use in moisture environments. PMC can engineer a Breather Vent Fitting for your specific needs.

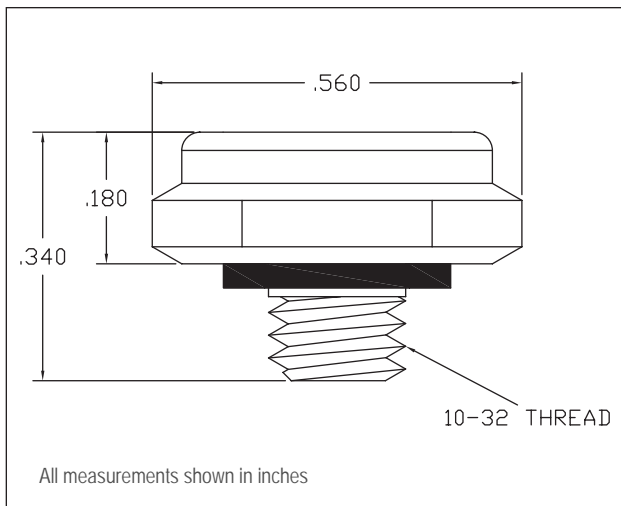
STANDARD SPECIFICATIONS

■ Construction

Nickel-plated brass housing
PTFE filter
Stainless Steel Screen (optional)

■ Installation

10-32NF-2A threading
0.4375" Hex
0.313" deep



ORDERING INFORMATION

VF Series **Moisture Barrier, Breather Vent Fitting**

Consult factory for ordering assistance.

Required information includes:

Use PMC order code VF to order your Breather Vent Fitting.

For the Breather Vent Fitting including the protective Stainless Steel Screen, use order code VF/SS.

OPTIONS

PMC can design a Moisture Barrier, Breather Vent Fitting for your specific needs. Alternative materials, sizes, threads or connector styles can be provided for your unique application.

Contact PMC for further options and accessories

PMC adopts a continuous development program which sometimes necessitates specification changes without notice.

HEAD OFFICE



Process Measurement & Controls, Inc.

11 Old Sugar Hollow Road
Danbury, CT 06810 U.S.A.

Tel: 203-792-8686

Fax: 203-743-2051

Email: sales@pmc1.com

www.pmc1.com

Represented By: