



Electronic Transmitter Pressure, Level, and Vacuum

PT/EL TH/SS Series



- Nema 4X Stainless Steel Terminal Head
- $\pm 0.25\%$ FS Accuracy
- Ranges 5"WC-300psig, Vacuum & Absolute
- 4-20 mA, 2-wire output
- FM and CSA Approved*, 3A Sanitary



PMC Electronic Pressure Transmitters accurately measure pressures, levels, and vacuum ranges in processes where clogging of the diaphragm face is a particular concern. The small, 1½" diameter of the transmitter allows installation flush with the inside wall of pipes 3" in diameter and larger. This feature eliminates the usual pocketing problems encountered with conventional flange-mounted and recessed-diaphragm transmitters. PMC incorporates a high-precision ceramic capacitive pressure sensor to ensure accuracy and durability. This type of sensor is ideally suited for high-wear applications. **The PT/EL Series** of transmitters provides overpressure protection of up to 10 times the full scale range. The Nema 4X rated, Stainless Steel Terminal Junction Head provides a corrosion resistant and flexible solution for connection to the transmitter and can be configured with a Local LCD Display. Access to the terminal strip is provided through the threaded and O-ring sealed top. Cables enter the Terminal Junction Head via a ½" NPT threaded port. The optional ½" Nylon Gland Nut provides a liquid-tight cord connection.

3A Sanitary version (SAN) provides your choice of certified sanitary process connections including weld-on nipple, NPT threaded nipple, or Tri-Clamp. **Double Ring version (DR)** provides your choice of process connections including weld-on nipple, or NPT threaded nipple. See the Process Connections Data sheet for a detailed list and description of options.

*FM & CSA approved for use in hazardous locations, Class I,II,III, Division1, Groups A,B,C,D,E,F, & G rated.

Pneumatically Operated Transmitters Also Available

Precision Solutions for pressure, level, vacuum and humidity measurement

STANDARD SPECIFICATIONS

Full Scale Ranges

0 - 10"WC to 0 - 300 psi gauge
 ± 10"WC to ± 400"WC Compound
 0 - 3"Hg to 0 - 30"Hg Vacuum
 0 - 15 psi to 0 - 150 psi absolute

Ranges below 40"WC, absolute ranges, and/or compound ranges available with ceramic diaphragm only

Static Accuracy

± 0.25% of Full Scale
 Combined non-linearity, hysteresis, and repeatability

Overpressure

10X for Full Scale Ranges up to 15 psi
 4X for Full Scale Ranges from 15 to 150 psi

Compensated Temperature Range

-4°F to 175°F (-20°C to 80°C)

Operating Temperature Range

Ambient: -4°F to 175°F (-20°C to 80°C)
 Process: -4°F to 250°F (-20°C to 125°C)

Temperature Effects

Thermal Zero Shift: ±0.0075%/°C
 Thermal Span Shift:
 ± 0.05%/°C for ranges < 6 psi
 ±0.003%/°C for ranges 6 psi and above

Electrical

Output: 2-wire, 4-20 mA
 Supply Voltage: 24 VDC nominal supply

Zero Setting

± 5% FS, potentiometer adjustment

Span Setting

± 15% FS, potentiometer adjustment

Housing

Nema 4X, EMI / RFI protected,
 Stainless Steel Construction

PMC adopts a continuous development program which sometimes necessitates specification changes without notice.

ORDERING INFORMATION

PT/EL TH/SS Series Electronic Transmitter Pressure, Level, and Vacuum

When ordering please specify the following:

MODEL PMC - PT/EL	
SAN	Sanitary version
DR	Double Ring version
Range	Specify psi, " WC, bar, absolute, gauge, etc.
Diaphragm	
Ha	Havar
Hc	Hastelloy C
Ta	Tantalum
Cer	Ceramic
Termination	
TH-SS	SS Terminal Head
TH-SS/D	Adds Display

(1) Select (2) Specify (3) Select (4) Select

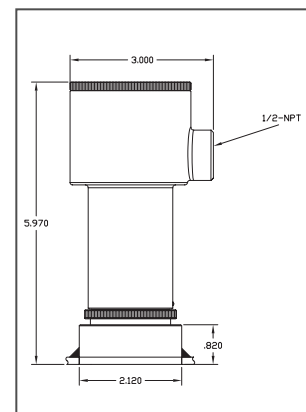
Order Code Example: PMC-PT/EL-SAN-30psig-Ha-TH-SS

- Model: PMC-PT/EL-SAN
- Range: 30psi gauge
- Diaphragm Material: Havar
- Electrical Termination: Stainless Steel Terminal Head

OPTIONS

- Remote Electronics
- Gland Nut Cable Connection
- LCD Display
- Submersible Versions
- Process Connections
 Sanitary, Flush-Mount, Tri-Clamp, Flange and Threaded Process Connections available

Contact PMC for other options and accessories



All measurements shown in inches

HEAD OFFICE



Process Measurement & Controls, Inc.

11 Old Sugar Hollow Road
 Danbury, CT 06810 U.S.A.
 Tel: 203-792-8686
 Fax: 203-743-2051
 Email: sales@pmc1.com
www.pmc1.com

Represented By: