



PMC Differential Current-to-Current Converter

DII Series



- $\pm 0.35\%$ typical accuracy
- Up to 40:1 Turndown
- Nema 4x Rated, RFI Immune
- 4-20 mA, 2-wire output
- Optional Local Display



The **PMC Differential Current-to-Current Converter (DII Series)** provides accurate, reliable readings in harsh industrial environments. The Nema 4x rated DII supplies power to a matched pair of individually-mounted, 2-wire electronic transmitters (sold separately) and computes the differential measurement between the resulting 4-20mA currents. The output is a user-scaled 4-20 mA signal proportional to the difference in pressure. The DII can be used in most wet/wet differential applications. The DII is available with an optional digital read-out.

All PMC and STS Electronic and Smart Pressure, Level and Vacuum Transmitters are compatible with the DII.

See Data Sheets For The Following Transmitter Series:

VL 2000	VL 3000	VL 4000	SMT/ PT/EL	SMT MIN PT/EL
MIN/S PT/EL	MIN PT/EL	STS ATM	STS PTM	DS/SMT DS PT/EL

STANDARD SPECIFICATIONS

Accuracy

DII only:

± 0.10% FSR for 1:1 turndown
± 0.50% FSR for 40:1 turndown

DII with PMC transmitter pair:

± 0.35% FSR typical for 1:1 turndown
± 0.61% FSR typical for 40:1 turndown

Output

4-20mA

Input

Dual 4-20 mA, 2-wire current sources powered by the integral DII power supply

Supply Voltage

24 VDC, reverse polarity protected

Operating Temperature Range

-22° F to 185° F (-30° C to 85° C)

Temperature Stability

±0.1% FSR with 1:1 turndown
±2% FSR with 40:1 turndown
32° F to 122° F (0° C to 50° C)
Plus temperature effects of transmitter pair

Span Settings

Course span set by mini-switches, set-able from 1:1 turndown to 40:1. Fine span potentiometer provides non-interreactive ± 16% FSO adjustment for all turndowns

Zero Offset

Adjustable to ±7% FSO for all turndowns

Enclosure

Rugged polycarbonate construction, Nema 4x rated, RFI immune

Connections

Liquid-tight, straight-thru fittings for flexible cords to barrier terminal strip. #4 terminal screws can secure wire sizes ranging from 14 to 22 AWG. Surface-mountable

Weight

20 ounces (0.57 kg)

PMC adopts a continuous development program which sometimes necessitates specification changes without notice.

ORDERING INFORMATION

When ordering please specify the following:

MODEL PMC - DII	
Range	Specify psi, "WC, etc.
Output	Full scale output from .4mA to 16 mA

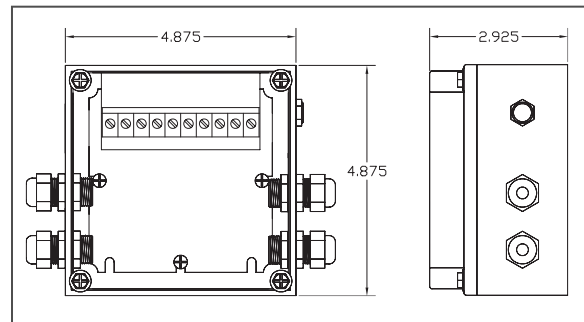
(1) Select (2) Specify (3) Select

Order Code Example: PMC-DII-30psid-16mA

(1) Model: PMC-DII

(2) Range: 30 psi differential

(3) Output: 16mA differential span (4-20mA)



All measurements shown in inches

OPTIONS

PMC offers a range of options, accessories, and variants for the Differential Current-to-Current Converter (DII Series) including the output options listed above, SS Enclosure, and Digital Read-out.

Contact PMC for further options and accessories

HEAD OFFICE



Process Measurement & Controls, Inc.

11 Old Sugar Hollow Road
Danbury, CT 06810 U.S.A.
Tel: 203-792-8686
Fax: 203-743-2051
Email: sales@pmc1.com
www.pmc1.com

Represented By: