

Pressure Transducer Series ASMT



- **Combination Pressure and Temperature**
- **Miniature size: 0.59" A/F**
- **Ranges from 200 to 3000psi**
- **Temperature Range: -5 to 300°F**
- **0.5 to 4.5V output**
- **5V or 8-16Vdc supply**
- **Rugged construction**

KA Sensors is a dynamic and flexible company offering over 30 years of sensor design and instrumentation experience to the demanding motor sports industry. Our founding principles are to provide a complete solution to our customers, with service and confidentiality being paramount. Our understanding of the complex requirements of racing make us the ideal Company to assist in your testing and gain those valuable thousandths of a second each lap.

The ASMT series combines a high performance rugged and very small pressure transducer with a temperature measured provided by an NTC Thermister. The transducer has been designed specifically for use in harsh motor sport environments. The design is features the ability to operate at temperatures up to 300°F. The modular construction and associated components have been designed to provide quick deliveries over a wide range of configurations.

We offer flexibility to customize the ASMT series to meet the requirements of specific applications.

Typical applications include: **Fuel - Oil - Air - Coolant - Brakes - Water - more.....**

Please contact our expert technical staff to discuss your application

(See back page for specifications)

Specifications

■ Range

Standard Ranges are 0-200, 500, 1500 and 3000psi sealed gauge or absolute.

Other ranges and units can be specified

■ Accuracy

±0.5% FS

Combined linearity, hysteresis and repeatability

■ Pressure Rating

Over-range (proof pressure): 1.5X FS for all ranges

Burst pressure: >3X FS for all ranges

■ Temperature Rating

Operating: -5 to 300°F (-20 to 150°C)

Compensated: 30 to 300°F (0 to 150°C)

■ Temperature Effects

TC Zero: ±0.006% FS /°F

TC Span: ±0.006% Reading /°F

■ Temperature Sensor

NTC thermistor

■ Electrical

Supply voltage: 5V ratiometric or 8-16Vdc

Output: 0.5 to 4.5V

Others possible, please consult the factory

EMC protection: EN 50082-1

■ Construction

Stainless Steel housing

Seal: Viton/steel self centered seal

■ Mechanical

Vibration: Mil-Std-810C, Curve L, 20g.

■ Mounting Connection

M10.

Others available, please contact the factory

■ Electrical Connection Options

20" standard, 26AWG 55spec *Longer cable available.*

Please contact the factory for integral connector.

KA/PMC adopts a continuous development program which sometimes necessitates specification changes without notice

Other Products

■ KA/PMC offers a wide range of products for the Motor Sport Industry

■ Pressure

AS and ASL and ASM for different configurations and features.

■ Other Sensors

Comprehensive range of sensors are offered for the following measurements:

Load – Force – Torque – Temperature – Acceleration

Displacement - Speed

■ Other capabilities

The following support capabilities are available:

Signal Conditioning – Controls – Logging – more....

Please contact the factory for additional information

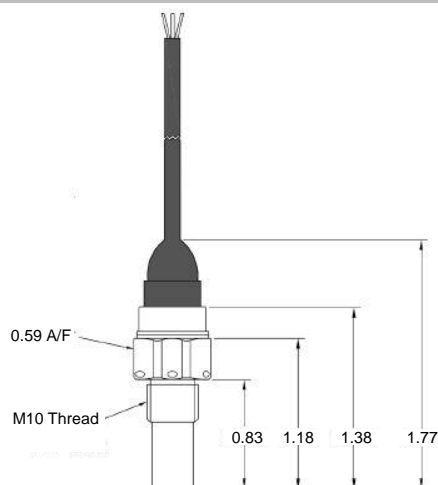
How to Order

■ Please provide the following:

Model No:	ASMT
Pressure Range:	Must specify
Mounting connection:	M10
Cable Length:	20" is standard
Special Requirements:	Refer to factory

Standard Configuration

All dimensions nominal in inches



HEAD OFFICE



Process Measurement & Controls, Inc.

11 Old Sugar Hollow Road

Danbury, CT 06810 U.S.A.

Tel: 203-792-8686

Fax: 203-743-2051

Email: sales@pmc1.com

www.pmc1.com

Represented By: