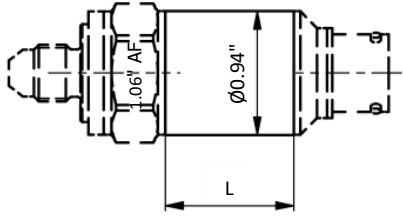


Process Connections for ATM.1st, ATM.ECO, ATM

WELDED PROCESS CONNECTIONS FOR PRESSURE RANGES FROM 1/1.5 PSI UP TO 350 PSI

Version for fluid/gas temperature up to 250°F



Version for fluid/gas temperature up to 300°F

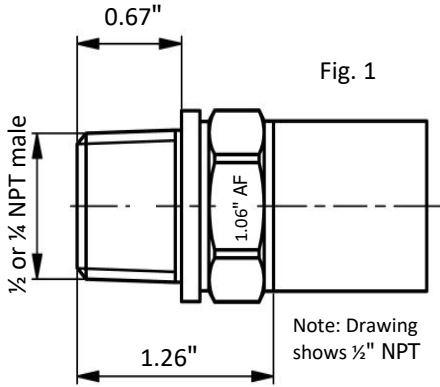
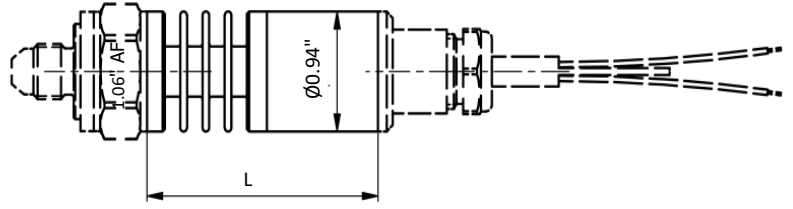


Fig. 1

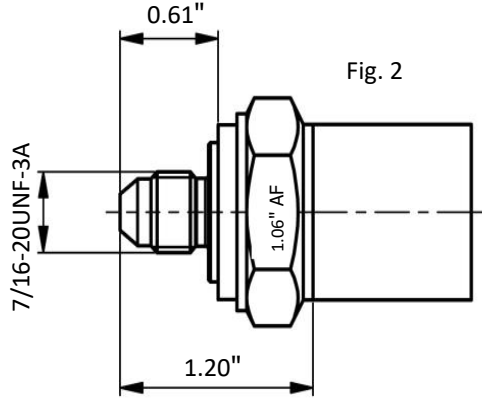


Fig. 2

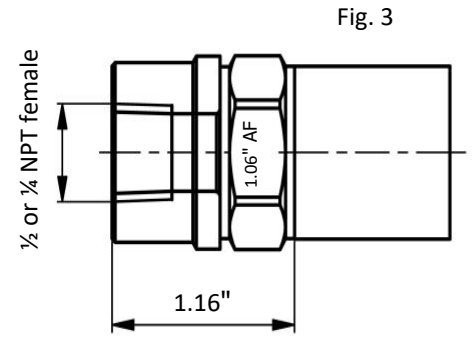


Fig. 3

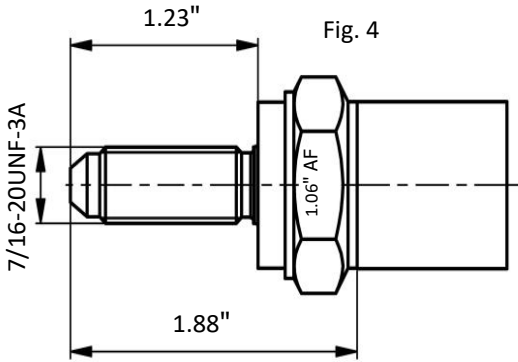


Fig. 4

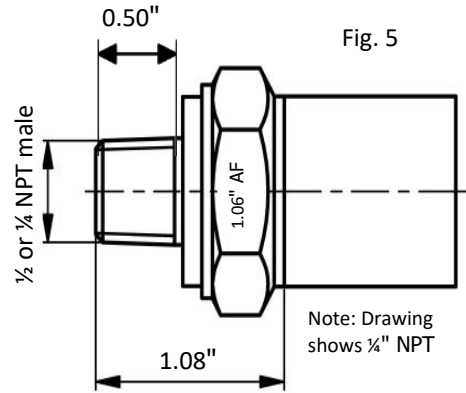


Fig. 5

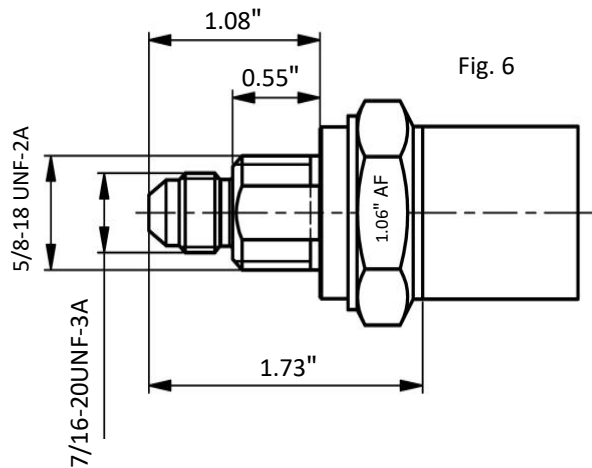


Fig. 6

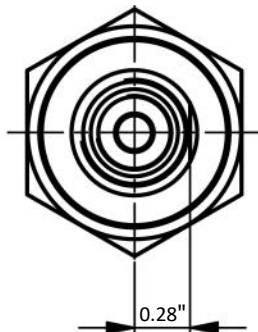
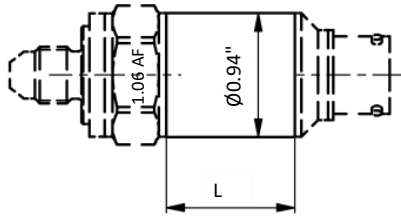


Fig. 7

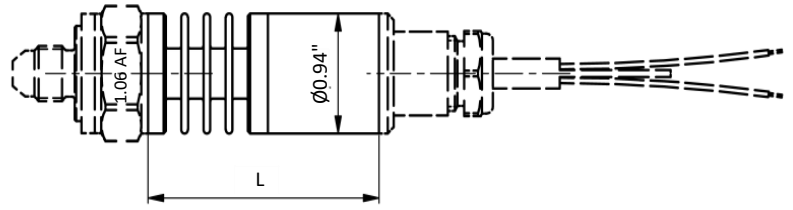
1/8" NPT Bulkhead

FRONTAL OR FLUSH PROCESS CONNECTIONS

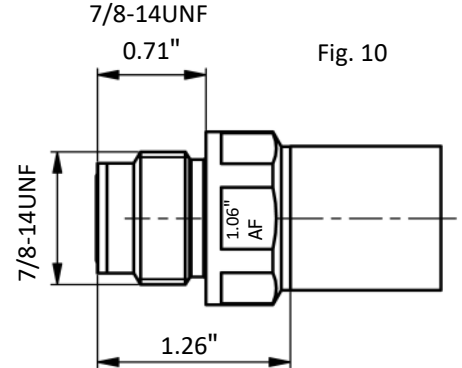
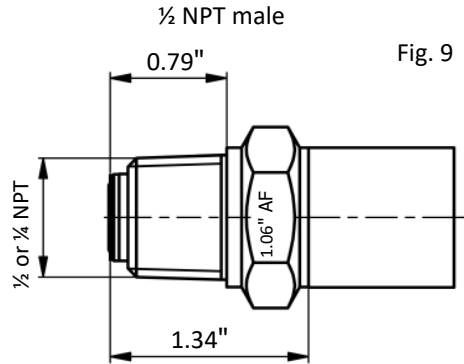
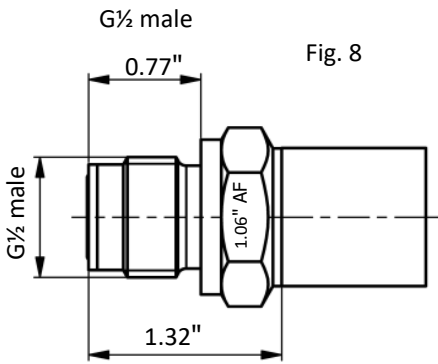
Version for fluid/gas temperature up to 250°F



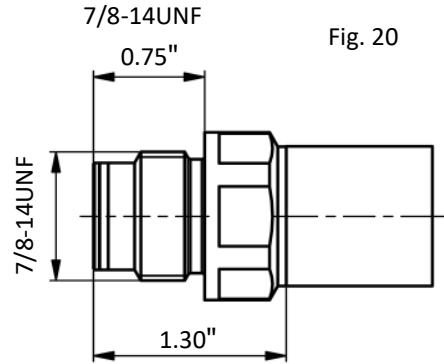
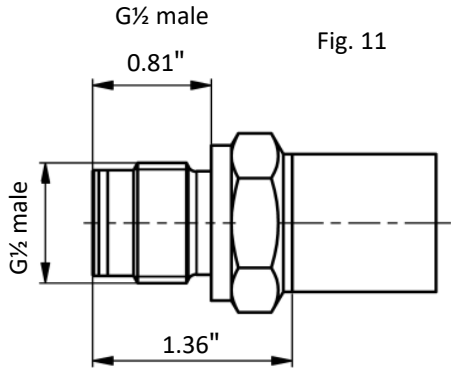
Version for fluid/gas temperature up to 300°F



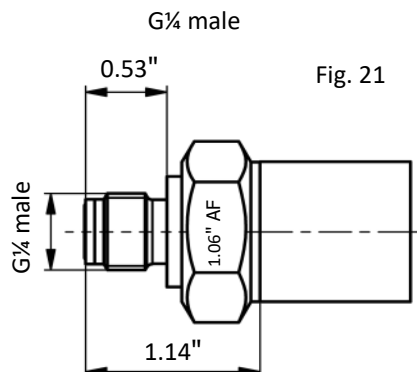
Flush Version Process Connections for Pressure Ranges from 1.5 psi up to 8,700 psi



Frontal Version Process Connections for pressure ranges from 1/1.5 psi up to 8,700 psi



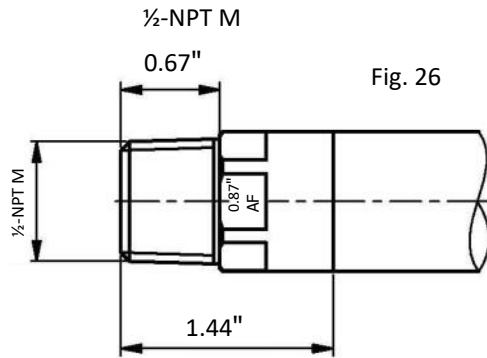
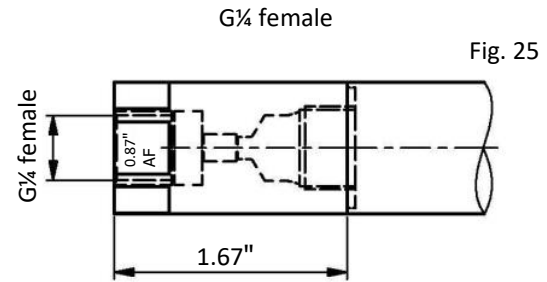
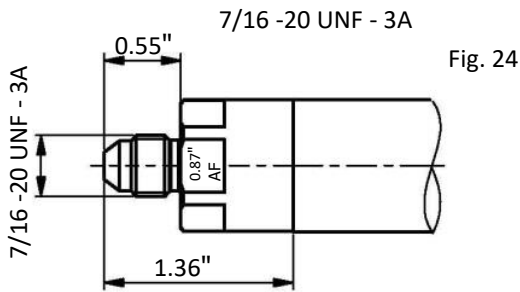
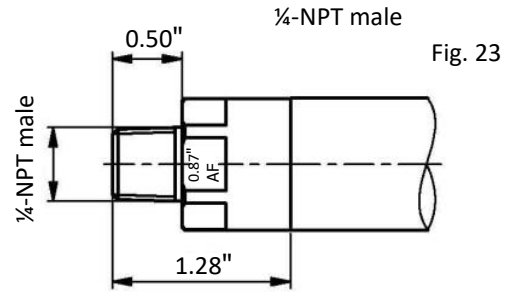
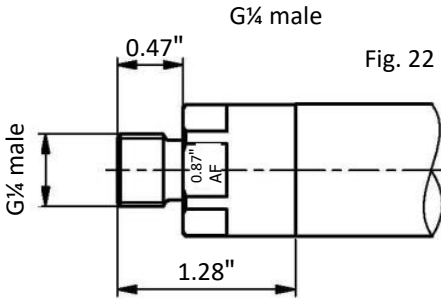
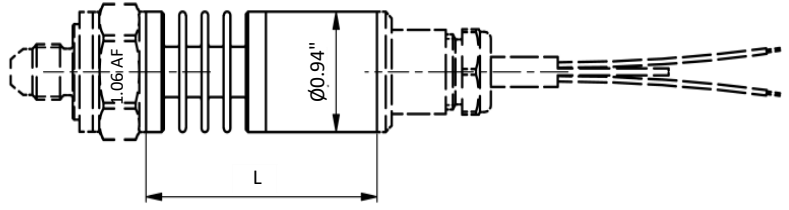
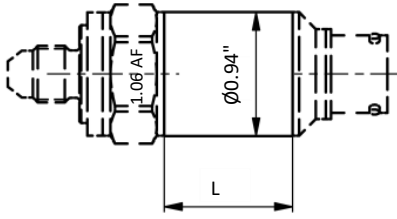
G 1/4 Flush Version Process Connections for pressure ranges from 145 psi up to 8,700 psi



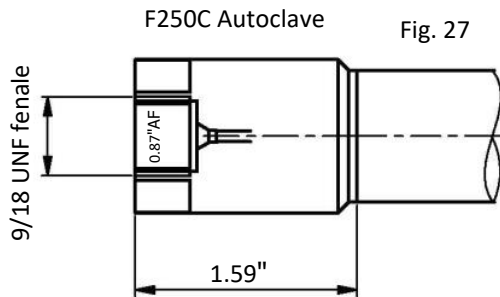
ELASTOMER FREE PROCESS CONNECTIONS FOR PRESSURE RANGES FROM 350 PSI TO 10,000 PSI

Version for fluid/gas temperature up to 250°F

Version for fluid/gas temperature up to 300°F



ZERON100 (1.4501) PROCESS CONNECTION FOR PRESSURE RANGES UP TO 20,000 PSI



Electrical Connections for ATM.1st, ATM.ECO, ATM

DIMENSIONS

Version for fluid/gas temperature up to 250°F

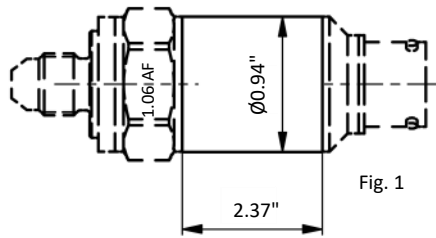


Fig. 1

Version for fluid/gas temperature up to 300°F

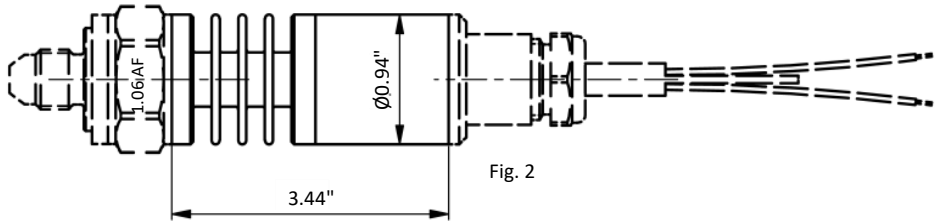


Fig. 2

ELECTRICAL CONNECTIONS

Fig. 12 - DIN43650 (EN 175301-803A)

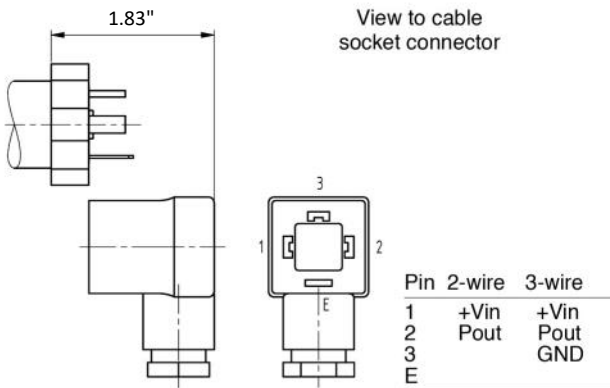


Fig. 13 - Binder 723, 5 pins

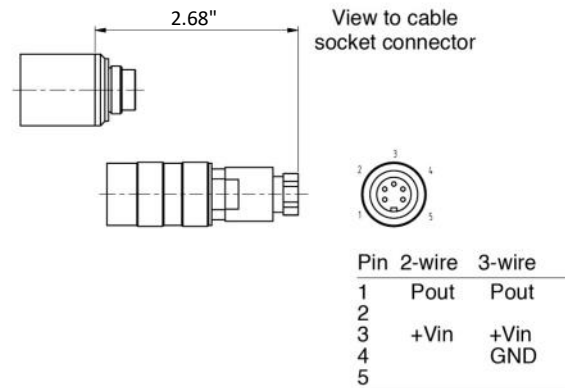


Fig. 14 - MIL C26482, 10-6, 316L

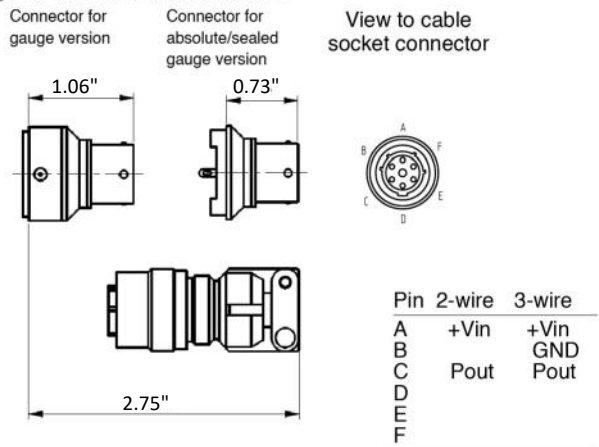


Fig. 15 - M12 x 1, 4 pins (Lumberg RSF4)

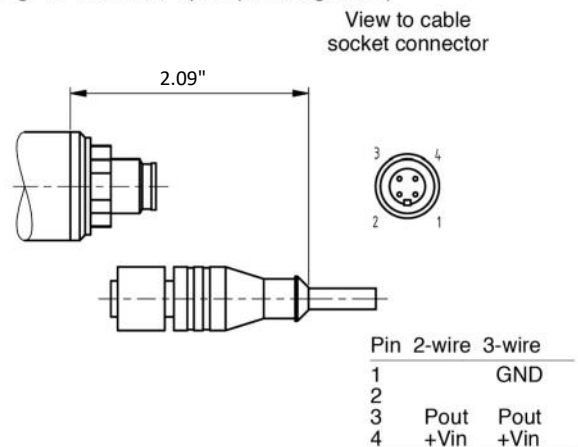


Fig. 16 - Cable connection IP67

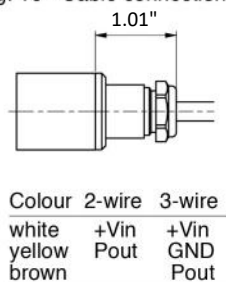


Fig. 17 - Cable connection IP68

